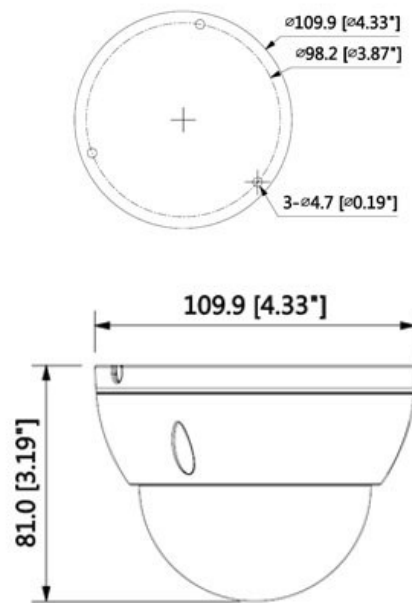


CP- UNC-VA51L3-MDS**5MP Full HD WDR IR Vandal Dome Camera - 30Mtr.****Main Features**

- 1/2.7" 5MP PS CMOS Image Sensor
- Max. 15fps@5MP(2592×1944) and 25/30fps@3MP(2304×1296)
- Support Starlight Function
- H.265 and H.264 triple-stream encoding
- WDR(120dB), Day/Night (ICR), 3D-DNR, ROI, AWB, AGC, BLC, HLC
- 2.8mm fixed lens (3.6mm optional)
- IR Range of 30 Mtrs, IP67, IK10, Micro SD Card, PoE
- Mobile Software: iCMOB, gCMOB
- CMS Software: KVMS Pro



CP- UNC-VA51L3-MDS

5MP Full HD WDR IR Vandal Dome Camera - 30Mtr.



Feature

Image Sensor
 Effective Pixels
 Minimum Illumination
 Shutter Speed
 White Balance
 Lens
 Gain Control (AGC)
 Video Compression
 Angle of View
 Back Light Compensation
 S/N Ratio
 Video Streaming
 Resolution
 Digital Zoom
 Motion detection
 Privacy Mask
 ICR
 ROI
 Bit Rate
 Protocol
 Smart Detection
 Ethernet
 User Account
 Smart Phone
 IR
 Micro SD
 Operating Temperature
 Power Source
 Power Consumption
 Weatherproof Standard

Specification

1/2.7" 5MP Progressive scan CMOS
 2592(H) x 1944(V)
 0.03Lux/F2.0(Color,1/3s,30IRE) 0.3Lux/2.0(Color,1/30s,30IRE) 0Lux/F2.0(IR on)
 Auto/Manual, 1/3~1/100000s
 Auto/Natural/Street Lamp/Outdoor/Manual
 2.8mm (3.6 mm optional)
 Auto/Manual
 H.265+/H.265/H.264+/H.264
 H:96°/78°, V:70°/58°
 BLC / HLC / WDR(120dB)
 More than 50dB
 5MP(1 ~ 15fps), D1(1 ~ 15fps), 720P(1 ~ 15fps)
 5M(2592x1944)/4M(2688x1520/2560x1440)/3M(2 304x1296)/1080P(1920x1080)/720P
 (1280x720)/ D1(704x576/704x480)/ VGA(640x480)/ CIF(352x288/352x240)
 16x
 Off / On (4 Zone, Rectangle)
 Off / On (4 Area, Rectangle)
 Auto (ICR)/Color/B/W
 Off / On (4 Zone)
 H.265: 12K ~ 8448Kbps H.264: 32K ~ 10240Kbps
 HTTP; TCP; ARP; RTSP; RTP; UDP; RTCP; SMTP; FTP; DHCP; DNS; DDNS; PPPOE; IPv4/v6; SNMP;
 QoS; UPnP; NTP; ONVIF, PSIA, CGI
 Tripwire, Intrusion
 RJ-45 (10/100Base-T)
 20 Users
 iPhone, iPad, Android Phone
 IR Range of 30 Mtr.
 Micro SD Card 128GB
 -30°C~+60°C , Less than 95%RH
 DC12V PoE(802.3af)
 <4.2W
 IP67 & IK10



 **CP- UNC-VA51L3-MDS**

5MP Full HD WDR IR Vandal Dome Camera - 30Mtr.

**Feature**

Casing

Dimension

Weight

Specification

Metal

Φ109.9mm × 81mm (4.33" x 3.19")

0.34Kg